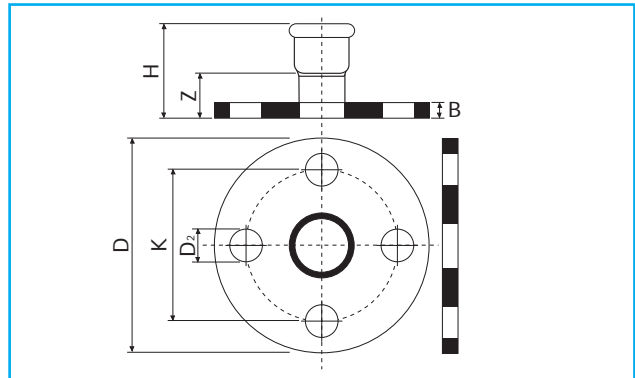


● Übergangsflansch PN 10 / 16



VPE	D	Artikel-Nr.	Z	D	H	K	B	D2	Löcher
1	15,0	4678021	33,0	95,0	56,5	65,0	11,0	14,0	4
1	18,0	4678022	39,0	95,0	60,0	65,0	11,0	14,0	4
1	22,0	4678023	39,0	105,0	63,5	75,0	12,0	14,0	4
1	28,0	4678024	47,0	115,0	72,5	85,0	14,0	14,0	4
1	35,0	4678025	52,0	140,0	76,0	100,0	15,0	18,0	4
1	42,0	4678026	59,0	150,0	86,5	110,0	16,0	18,0	4
1	54,0	4678027	75,0	165,0	112,5	125,0	18,0	18,0	4
1	76,1	4678018	71,0	185,0	109,0	145,0	18,0	18,0	4
1	88,9	4678019	84,0	200,0	114,0	160,0	20,0	18,0	8
1	108,0	4678020	90,0	220,0	129,0	180,0	20,0	18,0	8