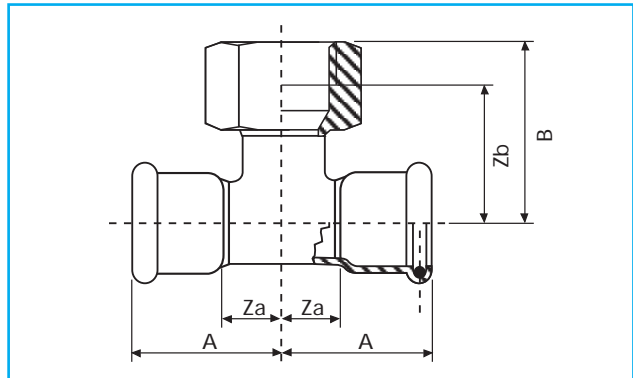


● T-Stück mit Abgang IG

DIN EN 10226-1 : 2004



VPE	D	Artikel-Nr.	A	Z (a)	B	Z (b)
10	15,0 x 1/2	4673001	37,0	21,0	37,0	25,0
10	18,0 x 1/2	4673019	40,0	21,0	39,0	27,0
10	18,0 x 3/4	4673020	40,0	21,0	43,0	30,0
10	22,0 x 1/2	4673002	41,0	23,0	41,0	29,0
10	22,0 x 3/4	4673003	41,0	23,0	41,0	28,0
10	28,0 x 1/2	4673021	46,0	24,0	44,0	32,0
10	28,0 x 3/4	4673022	46,0	24,0	45,0	32,0
10	35,0 x 1/2	4673023	51,0	27,0	48,0	36,0
10	35,0 x 3/4	4673024	51,0	27,0	48,0	35,0
4	42,0 x 1/2	4673025	59,0	32,0	46,0	34,0
4	42,0 x 3/4	4673026	59,0	32,0	52,0	39,0
2	54,0 x 1/2	4673027	71,0	37,0	55,0	43,0
2	54,0 x 3/4	4673028	71,0	37,0	58,0	45,0
2	54,0 x 2	4673029	71,0	37,0	69,0	47,0
1	76,1 x 3/4	4673013	116,0	55,0	68,0	55,0
1	76,1 x 2	4673014	116,0	55,0	81,0	59,0
1	88,9 x 3/4	4673018	131,0	63,0	87,0	74,0
1	88,9 x 2	4673016	131,0	63,0	88,0	66,0
1	108,0 x 3/4	4673015	156,0	77,0	86,0	73,0
1	108,0 x 2	4673017	156,0	77,0	98,0	76,0