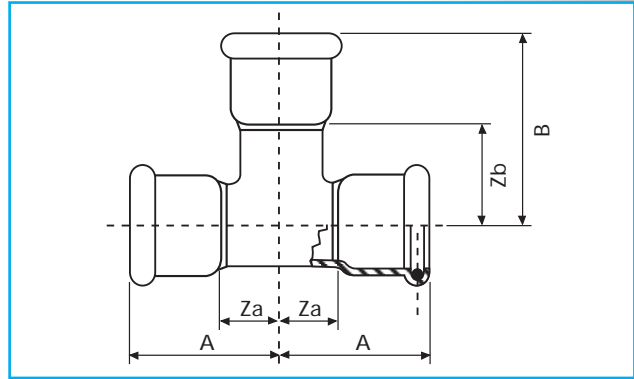


● T-Stück



VPE	D	Artikel-Nr.	A	Z (a)	B	Z (b)
10	15,0	4671010	37,0	20,0	35,0	14,0
10	18,0	4671011	40,0	21,0	35,0	14,0
10	22,0	4671012	41,0	22,0	40,0	17,0
10	28,0	4671013	46,0	24,0	45,0	21,0
10	35,0	4671014	51,0	27,0	55,0	28,0
4	42,0	4671015	59,0	32,0	61,0	29,0
2	54,0	4671016	71,0	37,0	72,0	35,0
1	76,1	4671017	116,0	55,0	115,0	60,0
1	88,9	4671018	131,0	63,0	127,0	64,0
1	108,0	4671019	156,0	77,0	155,0	78,0