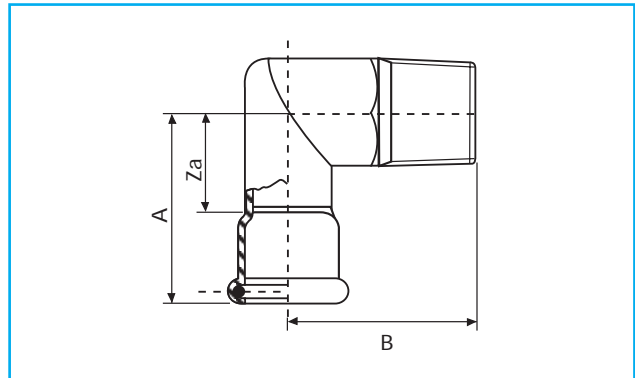


● Übergangswinkel 90° mit AG

DIN EN 10226-1 : 2004



VPE	D x R	Artikel-Nr.	A	Z (a)	B
10	15,0 x 1/2	4677010	53,0	32,0	36,0
10	18,0 x 1/2	4677011	51,0	30,0	36,0
10	22,0 x 3/4	4677012	58,0	35,0	40,0
10	28,0 x 1	4677013	63,0	39,0	44,0
10	35,0 x 1 1/4	4677015	71,0	44,0	48,0
2	42,0 x 1 1/2	4677016	81,0	49,0	53,0
2	54,0 x 2	4677017	92,0	55,0	59,0