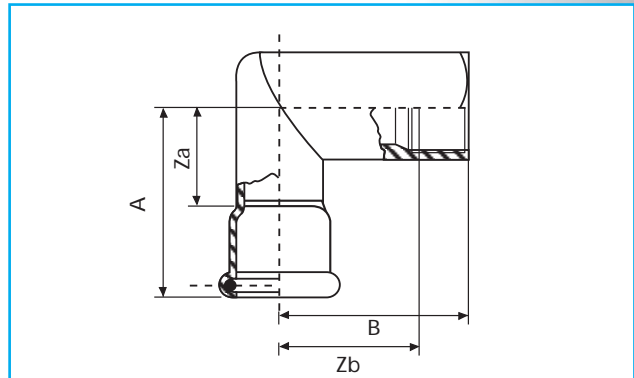
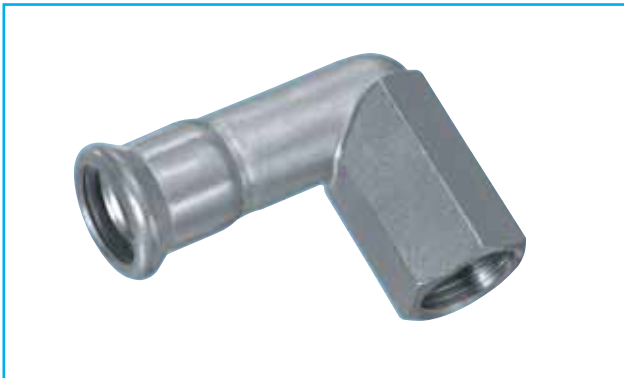


● Übergangswinkel 90° mit IG

DIN EN 10226-1 : 2004



VPE	D	Artikel-Nr.	A	Z (a)	B	Z (b)
10	15,0 x 1/2	4676010	53,0	32,0	36,0	27,0
10	18,0 x 1/2	4676011	52,0	31,0	39,0	30,0
10	22,0 x 3/4	4676012	57,0	34,0	46,0	37,0
10	28,0 x 1	4676013	71,0	47,0	54,0	45,0
10	35,0 x 1 1/4	4676015	72,0	45,0	62,0	32,0