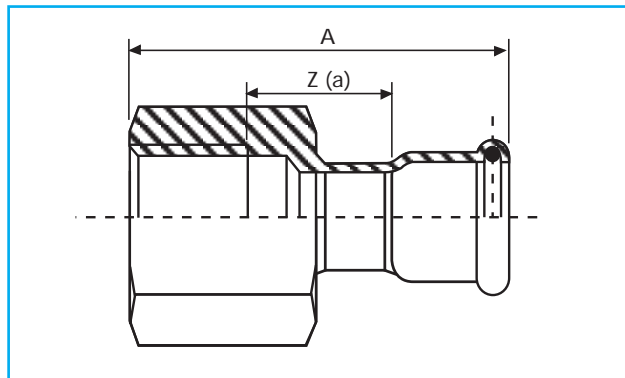


● Übergangsmuffe mit IG

DIN EN 10226-1 : 2004



VPE	D X Rp	Artikel-Nr.	A	Z (a)
10	15,0 x 1/2	4678001	53,0	20,0
10	15,0 x 3/4	4678008	67,0	33,0
10	18,0 x 1/2	4678002	51,0	18,0
10	18,0 x 3/4	4678009	57,0	23,0
10	22,0 x 1/2	4678003	52,0	17,0
10	22,0 x 3/4	4678004	56,0	20,0
10	22,0 x 1	4678010	70,0	31,0
10	28,0 x 3/4	4678005	73,0	36,0
10	28,0 x 1	4678006	62,0	22,0
10	28,0 x 1 1/4	4678011	80,0	39,0
10	35,0 x 1	4678007	81,0	38,0
10	35,0 x 1 1/4	4678012	72,0	28,0
10	35,0 x 1 1/2	4678013	83,0	39,0
4	42,0 x 1 1/4	4678014	94,0	45,0
4	42,0 x 1 1/2	4678015	74,0	25,0
4	54,0 x 1 1/2	4678016	106,0	52,0
4	54,0 x 2	4678017	84,0	25,0