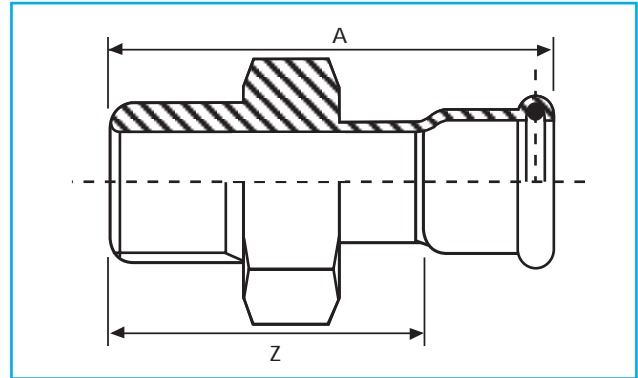


● Übergangstück mit AG

DIN EN 10226-1 : 2004



VPE	D X R	Artikel-Nr.	A	Z (a)
10	15,0 x 1/2	4679001	52,0	31,0
10	15,0 x 3/4	4679012	64,0	43,0
10	18,0 x 1/2	4679002	52,0	31,0
10	18,0 x 3/4	4679013	54,0	33,0
10	22,0 x 1/2	4679003	68,0	45,0
10	22,0 x 3/4	4679004	58,0	35,0
10	22,0 x 1	4679014	72,0	49,0
10	28,0 x 3/4	4679005	73,0	49,0
10	28,0 x 1	4679006	62,0	38,0
10	28,0 x 1 1/4	4679015	79,0	55,0
10	35,0 x 1	4679007	82,0	55,0
10	35,0 x 1 1/4	4679016	70,0	43,0
10	35,0 x 1 1/2	4679017	84,0	58,0
4	42,0 x 1 1/4	4679018	93,0	61,0
10	42,0 x 1 1/2	4679019	75,0	43,0
4	54,0 x 1 1/2	4679046	105,0	68,0
4	54,0 x 2	4679047	87,0	50,0
1	76,1 x 2 1/2	4679010	125,0	70,0
1	88,9 x 3	4679011	138,0	75,0